

3HXOL SERIES, MULTI ELEMENT L-SHAPED FLUOROPOLYMER (PTFE) HEATERS							
WATTS	VOLTS	HEATER STD. VERT. PAD LENGTH		MAX. COLD ZONE	MODEL NUMBER	SHIP WGT.	
		WIDTH In./(mm)	LENGTH* In./(mm)				
3000	240	8	13	18	36	3HXOL3208-13-R**	20
	480	(203)	(330)	(460)	(915)	3HXOL3408-13-R**	(9.5)
4500	240	10.5	11	18	35	3HXOL4.5210.5-11-R**	21
	480	(263)	(280)	(460)	(890)	3HXOL4.5410.5-11-R**	(9.5)
6000	240	10.5	19	18	35	3HXOL6210.5-19-R**	22
	480	(263)	(485)	(460)	(890)	3HXOL6410.5-19-R**	(10)
9000	240	10.5	23	18	35	3HXOL9210.5-23-R**	36
	480	(263)	(585)	(460)	(890)	3HXOL9410.5-23-R**	(16.5)
12000	240	10.5	30	18	35	3HXOL12210.5-30-R**	42
	480	(263)	(760)	(460)	(890)	3HXOL12410.5-30-R**	(19.5)
15000	240	10.5	36	18	31	3HXOL15210.5-36-R**	48
	480	(263)	(915)	(460)	(790)	3HXOL15410.5-36-R**	(22)
18000	240	10.5	42	18	25	3HXOL18210.5-42-R**	54
	480	(263)	(1070)	(460)	(635)	3HXOL18410.5-42-R**	(24.5)

Three phase standard. Guards recommended.



3HXOL Series, Multi Element Heater Features and Benefits

SUPERIOR CHEMICAL RESISTANCE:

- ♦ Inert to most aqueous acid, alkaline, anodizing and pickling solutions up to 212°F (100°C).

RUGGED CONSTRUCTION:

- ♦ Heavy wall fluoropolymer (PTFE) covered stainless steel element reduces permeation. Guaranteed 100% pinhole free.

OUTSTANDING PERFORMANCE:

- ♦ Low watt density design (10 watts/square inch (1.5w/cm²) uses minimal space and ensure long service life.

CORROSION RESISTANT HEAD:

- ♦ Vapor resistant, flame retardant polypropylene terminal enclosure with 3 ft (.9m) flexible PVC liquid tight conduit.

SAFETY FEATURES:

- ♦ Grounded internal metal element.
- ♦ Thermal protectors built in. Replaceable P1 protectors standard for solutions up to 180°F(82°C).
- ♦ Non-floating construction.

CERTIFICATIONS: cULus listed and CE compliant (except 600 volts).

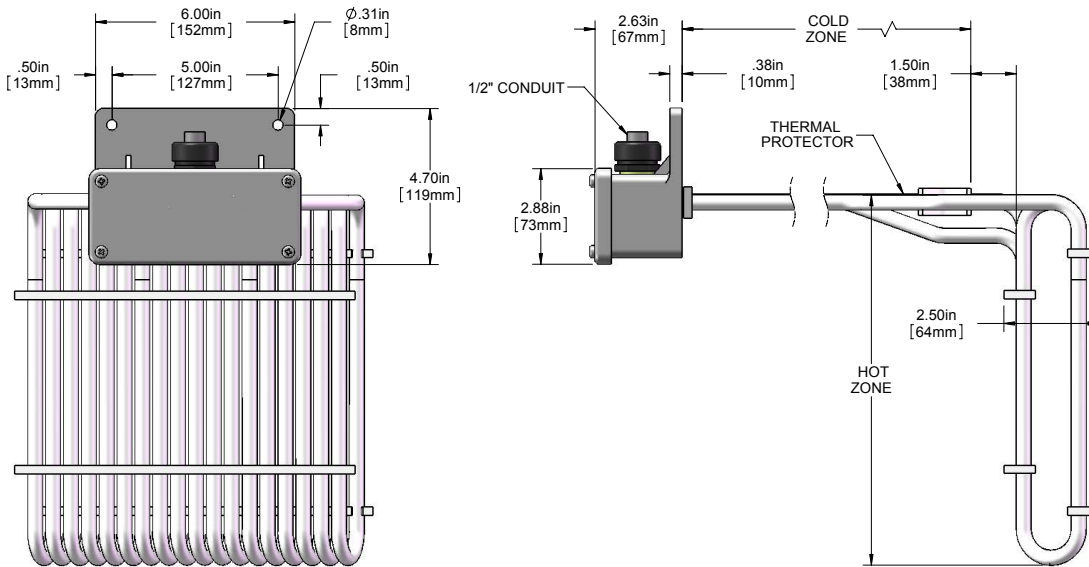
SIZES: 3000 watts to 18,000 watts.

VOLTAGES: 120 to 600 volts. (600 volts on 12,000 watts or lower only)

OPTIONS AVAILABLE (consult factory):

- ♦ Resettable thermal protectors:
 - P2: For solutions up to 180°F(82°C)
 - P8: Type-J thermocouple for solutions up to 210°F(99°C).
 - P3: Type-J thermocouple for solutions up to 250°F(121°C).
- ♦ Polypropylene guards: Recommended for applications up to 180°F(82°C) (sold separately).
- ♦ Fluoropolymer (PTFE) guards: Recommended for chromic acid and solutions over 180°F(82°C) (sold separately).
- ♦ Special configurations and lengths.
- ♦ Longer wire and conduit lengths.
- ♦ Flexible continuous fluoropolymer leads (P3 protector only).
- ♦ Lower watt densities for highly viscous solutions and technical acids.
- ♦ Temperature and level controls sized to match the heater. (sold separately)

DIMENSIONS



MULTI ELEMENT L SHAPED FLUOROPOLYMER (PTFE) HEATER ORDERING INFORMATION

Series	Wattage	Voltage	Width	Heater Pad Length	Vertical Length	Single Phase	Type of Protector	Wire and Conduit Length														
3HXOL = PTFE 3HSOL = 304 Stainless Steel	3 = 3000 4.5 = 4500 6 = 6000 9 = 9000 12 = 12000 15 = 15000 18 = 18000	1 = 120 2 = 240 3 = 380 4 = 480 5 = 415 6 = 600 7 = 400 8 = 208 9 = 220 0 = 200	08 = 3kW 10.5 = 4.5kW 10.5 = 6kW 10.5 = 9kW 10.5 = 12kW 10.5 = 15kW 10.5 = 18kW	-13 = 3kW -11 = 4.5kW -19 = 6kW -23 = 9kW -30 = 12kW -36 = 15kW -42 = 18kW	-R18 = 3kW -R18 = 4.5W -R18 = 6kW -R18 = 12kW -R18 = 15kW -R18 = 18kW Specify custom lengths, not to exceed tank length.	3 phase standard (no designator) 1 if single phase.	<table border="1" style="width: 100%; border-collapse: collapse;"> <tr> <th colspan="2" style="text-align: center;">Replaceable Protector</th> </tr> <tr> <td style="text-align: center;">P1</td> <td style="text-align: center;">for solutions up to 190°F</td> </tr> <tr> <th colspan="2" style="text-align: center;">Resettable Protector</th> </tr> <tr> <td colspan="2" style="text-align: center;">(additional control components required)</td> </tr> <tr> <td style="text-align: center;">P2</td> <td style="text-align: center;">for solutions up to 190°F</td> </tr> <tr> <td style="text-align: center;">P8</td> <td style="text-align: center;">for 190° - 210°F solutions</td> </tr> <tr> <td style="text-align: center;">P3</td> <td style="text-align: center;">for 210° - 250°F solutions</td> </tr> </table>	Replaceable Protector		P1	for solutions up to 190°F	Resettable Protector		(additional control components required)		P2	for solutions up to 190°F	P8	for 190° - 210°F solutions	P3	for 210° - 250°F solutions	36" length conduit standard (no designator) Specify variations from standard. Ex: -X84 = 84"
Replaceable Protector																						
P1	for solutions up to 190°F																					
Resettable Protector																						
(additional control components required)																						
P2	for solutions up to 190°F																					
P8	for 190° - 210°F solutions																					
P3	for 210° - 250°F solutions																					

ORDERING EXAMPLE:

3HXOL6410.5-19-R18-P1

Multi element L shaped fluoropolymer heater, 6000 watts, 480 volt, three phase, 10.5" wide, 19" long hot pad, 18" riser, P1 thermal protector.

