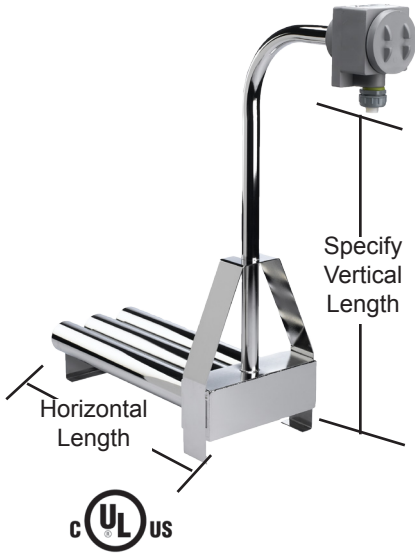




SMART ONE



S13L SERIES, TRIPLE METAL BOTTOM HEATERS							
WATTS	VOLTS	HORI-ZONTAL LENGTH	VER-TICAL LENGTH	304 STAINLESS MODEL NUMBER	316 STAINLESS MODEL NUMBER	TITANIUM MODEL NUMBER	SHIP WEIGHT
		In./(mm)	In./(mm)				Lbs./(kg)
3000	200-240	13 (330)	15 (381)	S13LF3213-R**	S13LS3213-R**	S13LT3213-R**	30 (13.6)
6000	200-240	17 (432)	37 (940)	S13LF6217-R**	S13LS6217-R**	S13LT6217-R**	33 (15)
9000	200-240	23 (584)	37 (940)	S13LF9223-R**	S13LS9223-R**	S13LT9223-R**	36 (16.3)
12000	200-240	29 (737)	37 (940)	S13LF12229-R**	S13LS12229-R**	S13LT12229-R**	39 (17.7)
15000	200-240	35 (889)	37 (940)	S13LF15235-R**	S13LS15235-R**	S13LT15235-R**	42 (19)
18000	200-240	41 (1041)	50 (1270)	S13LF18241-R**	S13LS18241-R**	S13LT18241-R**	45 (20.4)
2400	380-480	13 (330)	15 (381)	S13LF2.4413-R**	S13LS2.4413-R**	S13LT2.4413-R**	30 (13.6)
4800	380-480	17 (432)	37 (940)	S13LF4.8417-R**	S13LS4.8417-R**	S13LT4.8417-R**	33 (15)
7200	380-480	23 (584)	37 (940)	S13LF7.2423-R**	S13LS7.2423-R**	S13LT7.2423-R**	36 (16.3)
9600	380-480	29 (737)	37 (940)	S13LF9.6429-R**	S13LS9.6429-R**	S13LT9.6429-R**	39 (17.7)
12000	380-480	35 (889)	37 (940)	S13LF12435-R**	S13LS12435-R**	S13LT12435-R**	42 (19)
14400	380-480	41 (1041)	50 (1270)	S13LF14.4441-R**	S13LS14.4441-R**	S13LT14.4441-R**	45 (20.4)
16800	380-480	47 (1194)	50 (1270)	S13LF16.8447-R**	S13LS16.8447-R**	S13LT16.8447-R**	67 (30.4)

Three phase standard, add -1 for single phase.

S13L Series, Metal L Shaped Heater Features and Benefits:

LONG LIFE ELEMENT:

- ◆ Patented PTC heater element lasts longer than conventional heaters.
- ◆ Will not burn out due to scale or sludge buildup or if run in air.

SAFE DESIGN:

- ◆ Heater self limits its maximum operating temperature to 482°F (250°C). This is lower than the ignition point of most plastics.
- ◆ Will not melt tanks when a 1/2" (12mm) minimum distance is maintained.
- ◆ Overtemperature protection devices are not required.
- ◆ Safety is built-in, not added on.
- ◆ Metal-grounded (earth ground), non-floating construction.

OUTSTANDING PERFORMANCE:

- ◆ Watt densities up to 26 watts per square inch (4 w/cm²) ensure long service life.
- ◆ Auto-stabilizing solid state element prevents hot spots and ensures uniform heating.
- ◆ Heater derates itself in highly viscous and high temperature solutions. Consult factory for sizing assistance.

CORROSION RESISTANT HEAD:

- ◆ Vapor resistant, flame retardant polypropylene terminal enclosure with 3 ft (.9m) flexible PVC liquid tight conduit.

CHEMICALLY RESISTANT:

For use in most aqueous alkaline, electroplating and rinse solutions. Check solution recommendation chart with your chemical supplier for proper sheath material selection.

- ◆ 304 stainless steel.
- ◆ 316 stainless steel.
- ◆ Titanium.

CERTIFICATIONS: cULus listed and CE compliant.

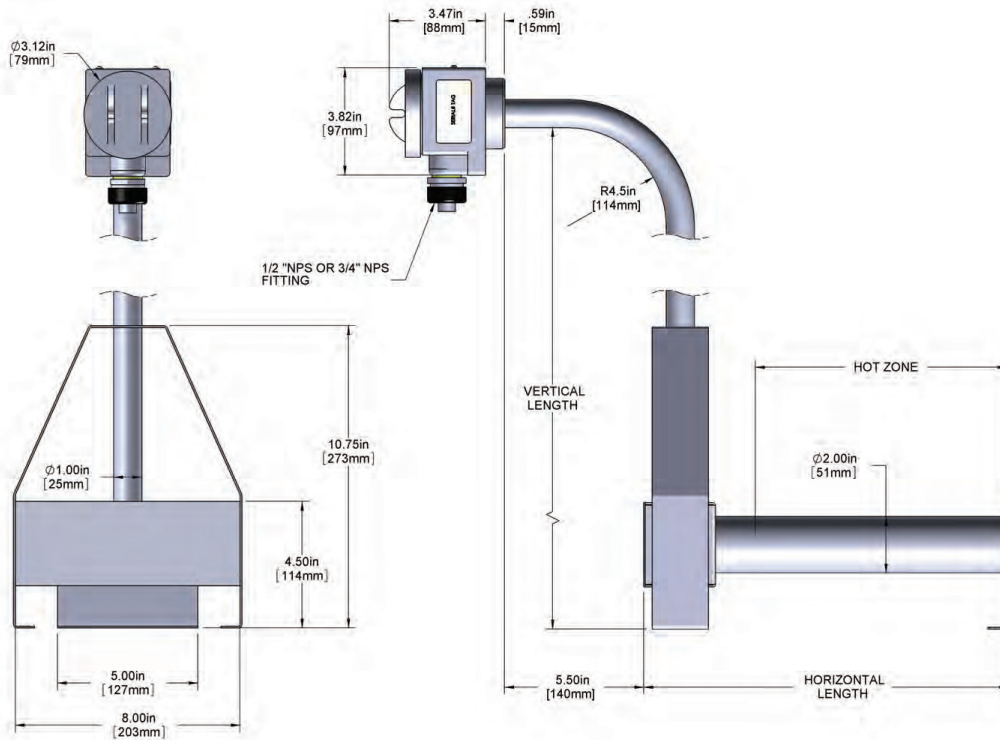
SIZES: 3,000 watts to 18,000 watts.

VOLTAGES: 200-240 volt, and 380-480 volt. Single or three phase power.

OPTIONS AVAILABLE (consult factory):

- ◆ Special configurations and lengths.
- ◆ Longer wire and conduit lengths.
- ◆ All metal welded junction box.
- ◆ Temperature and level controls sized to match the heater (sold separately).

DIMENSIONS



TRIPLE TUBE S13L, L SHAPED HEATER ORDERING INFORMATION

Series	Wattage	Voltage	Horizontal Length	Vertical Length	Phase Options	Riser Options	Wire and Conduit Length
S13LF = 304 stainless steel S13LS = 316 stainless steel S13LT = titanium	200-240V: 3 = 3000 6 = 6000 9 = 9000 12 = 12000 15 = 15000 18 = 18000 380-480V: 2.4 = 2400 4.8 = 4800 7.2 = 7200 9.6 = 9600 12 = 12,000 14.4 = 14,400 16.8 = 16,800	2 = 200-240 4 = 380-480	200-240V: 13 = 3kW 17 = 6kW 23 = 9kW 29 = 12kW 35 = 15kW 41 = 18kW 380-480V: 13 = 2.4kW 17 = 4.8kW 23 = 7.2kW 29 = 9.6kW 35 = 12kW 41 = 14.4kW 47 = 16.8kW	200-240V: -R15 = 3kW -R37 = 6kW -R37 = 9kW -R37 = 12kW -R37 = 15kW -R50 = 18kW 380-480V: -R15 = 2.4kW -R37 = 4.8kW -R37 = 7.2kW -R37 = 9.6kW -R37 = 12kW -R50 = 14.4kW -R50 = 16.8kW (custom lengths available)	no designator = three phase -1 = single phase no designator = 90° horizontal bend (standard) -S = straight riser no designator = 36" (1m) length standard specify variations from standard Ex: -X240 = 240" (6m)	(Riser Options)	(Wire and Conduit Length)

ORDERING EXAMPLE:

S13LS3213-R15

316 stainless steel, 3,000 watts, 240 volt, 13" horizontal length, 15" riser, three phase.

