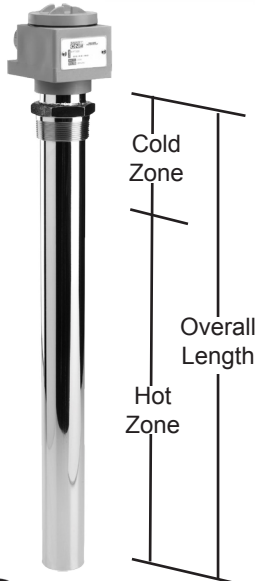




# SMART ONE



S1T SERIES, 2" TUBULAR SCREW PLUG HEATERS							
WATTS	VOLTS	PIPE THREAD	OVERALL LENGTH	304 STAINLESS	316 STAINLESS	TITANIUM	SHIP WEIGHT
				MODEL NUMBER	MODEL NUMBER	MODEL NUMBER	
			In./(mm)				Lbs./(kg)
1000	100-120	2" NPT	10 (254)	S1FT1110	S1ST1110	S1TT1110	11 (5)
2000	100-120	2" NPT	14 (356)	S1FT2114	S1ST2114	S1TT2114	14 (6.4)
	200-240			S1FT2214	S1ST2214	S1TT2214	
3000	200-240	2" NPT	20 (508)	S1FT3220	S1ST3220	S1TT3220	16 (7.3)
4000	200-240	2" NPT	26 (660)	S1FT4226	S1ST4226	S1TT4226	20 (9.1)
5000	200-240	2" NPT	31 (787)	S1FT5231	S1ST5231	S1TT5231	26 (11.8)
6000	200-240	2" NPT	37 (940)	S1FT6237	S1ST6237	S1TT6237	29 (13.2)
1600	380-480	2" NPT	14 (356)	S1FT1.6414	S1ST1.6414	S1TT1.6414	14 (6.4)
2400	380-480	2" NPT	20 (508)	S1FT2.4420	S1ST2.4420	S1TT2.4420	16 (7.3)
3200	380-480	2" NPT	26 (660)	S1FT3.2426	S1ST3.2426	S1TT3.2426	20 (9.1)
4000	380-480	2" NPT	31 (787)	S1FT4431	S1ST4431	S1TT4431	26 (11.8)
4800	380-480	2" NPT	37 (940)	S1FT4.8437	S1ST4.8437	S1TT4.8437	29 (13.2)
5600	380-480	2" NPT	43 (1092)	S1FT5.6443	S1ST5.6443	S1TT5.6443	32 (14.5)

Single phase standard, add -3 for three phase.

## S1T Series, Metal Over the Side Heater Features and Benefits:

### LONG LIFE ELEMENT:

- ◆ Patented PTC heater element lasts longer than conventional heaters.
- ◆ Will not burn out due to scale or sludge buildup or if run in air.

### SAFE DESIGN:

- ◆ Heater self limits its maximum operating temperature to 482°F (250°C). This is lower than the ignition point of most plastics.
- ◆ Will not melt tanks when a 1/2" (12mm) minimum distance is maintained.
- ◆ Overtemperature protection devices are not required.
- ◆ Safety is built-in, not added on.
- ◆ Metal-grounded (earth ground), non-floating construction.

### OUTSTANDING PERFORMANCE:

- ◆ Watt densities up to 26 watts per square inch (4 w/cm<sup>2</sup>) ensure long service life.
- ◆ Auto-stabilizing solid state element prevents hot spots and ensures uniform heating.
- ◆ Heater derates itself in highly viscous and high temperature solutions. Consult factory for sizing assistance.

### CORROSION RESISTANT HEAD:

- ◆ Vapor resistant, flame retardant polypropylene terminal enclosure with 3 ft (.9m) flexible PVC liquid tight conduit.

### CHEMICALLY RESISTANT:

For use in most aqueous alkaline, electroplating and rinse solutions. Check solution recommendation chart with your chemical supplier for proper sheath material selection.

- ◆ 304 stainless steel.
- ◆ 316 stainless steel.
- ◆ Titanium.

**CERTIFICATIONS:** cULus listed and CE compliant.

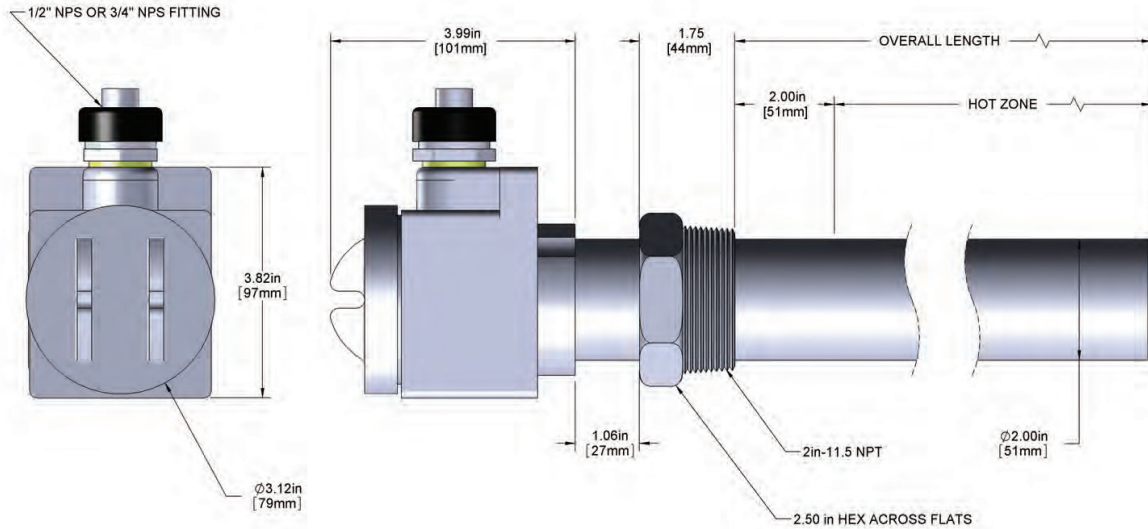
**SIZES:** 1,000 watts to 6,000 watts.

**VOLTAGES:** 120 volt, 200-240 volt, and 380-480 volt. Single or three phase power.

### OPTIONS AVAILABLE (consult factory):

- ◆ Special configurations and lengths.
- ◆ Longer wire and conduit lengths.
- ◆ All metal welded junction box.
- ◆ Temperature and level controls sized to match the heater (sold separately).

## DIMENSIONS



## SINGLE TUBE S1T, SCREWPLUG HEATER ORDERING INFORMATION

Series	Wattage	Voltage	Overall Length	Phase Options	Wire and Conduit Length
S1FT = 304 stainless steel S1ST = 316 stainless steel S1TT = titanium	<b>120-240V:</b> 1 = 1000 2 = 2000 3 = 3000 4 = 4000 6 = 6000  <b>380-480V:</b> 1.6 = 1600 2.4 = 2400 3.2 = 3200 4 = 4000 4.8 = 4800 5.6 = 5600	1 = 120 2 = 200-240 4 = 380-480	<b>120-240V:</b> 10 = 1kW 14 = 2kW 20 = 3kW 26 = 4kW 31 = 5kW 37 = 6kW  <b>380-480V:</b> 14 = 1.6kW 20 = 2.4kW 26 = 3.2kW 31 = 4kW 37 = 4.8kW 43 = 5.6kW (custom lengths available)	no designator = single phase -3 = three phase	no designator = 36" (1m) length standard specify variations from standard Ex: -X240 = 240" (6m)

### **ORDERING EXAMPLE:**

S1ST1110

316 stainless steel screwplug, 1,000 watts, 120 volt, 10" overall length, single phase.

