

<b>Output power:</b>	<b>max.</b> 40000 Watts	<b>Typical applications:</b>	Laboratory plating lines
<b>DC current:</b>	<b>max.</b> 2000A (at 20V)	Precious metal plating	Reel-to-reel plating
<b>DC voltage:</b>	<b>max.</b> 1000V (at 40A)	PCB lines	Manual plating lines

DC power supply in switch mode technology, designed for use in electroplating.



POWER STATION pe4206, front view



POWER STATION pe4206, back view

### Characteristic values

Linearity inaccuracy:

- for amperage < 1 %
- for voltage < 0.5 %

Ripple less than < 1 %

Efficiency typical > 85 %

Powerfactor  $\cos \varphi$  0,95

Constant current and voltage control

Soft start function

Microprocessor controlled regulation

Mains supply: standard 3 x 400 V +/- 10% / 50-60 Hz without N  
(other voltages on request)

### Cooling

Water cooled, over temperature protected

Ambient temperature 5° - 40°C

Cooling water consumption: min. 10l/per minute

### Design

Protection grade IP53

Anodized aluminium front panel

DC connection in back panel

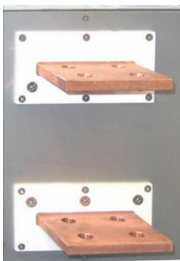
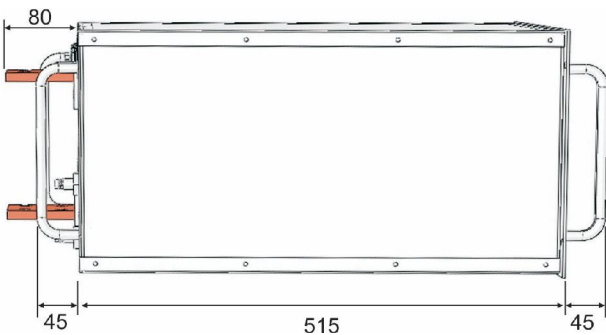
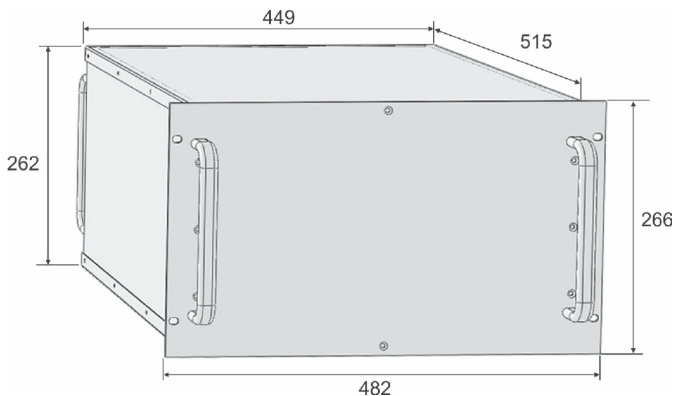
Water connections 1/2 inch thread or bayonet connector  
(cooling: brass / copper pipes)

Operation parallel and serial (DC output) of up to 30 units possible

EMV: EN55011 class A, group 1 ; EN61000-6-4 and EN61000-6-2;  
CE-conformity IEN50178 - low voltage guide line

Values	Standard sizes - DC output <sup>1</sup>							other sizes on request	
	2000 A							1000 A	40 A
DC current									
DC voltage	6 V	10 V	12 V	15 V	18 V	20 V	24 V	30 V	1000 V
Mains supply	3 x 400 V AC								
Weight	approx. 105-125 kg								

### Standard dimensions



DC output bus bars

### Cooling water specification

For the water cooling system, city water with the following specifications should be used:

ph Value:	7,0 – 8,0 und TOC < 1,5 mg/l	Sulfate:	< 240 mg/l
Hardness:	<=1,3 mmol/l (<=7°dH)	Nitrate:	< 50 mg/l
Chloride:	<=100 mg/l	Sodium:	< 150 mg/l
Inlet temperature:	18–26°C	Water pressure:	> 2–5 bar

To operate this rectifier, and to keep the specified values of the cooling water, a closed cooling system is recommended.

Technical equipment, design and features: subject to change! For further information please contact plating electronic GmbH.

### Control

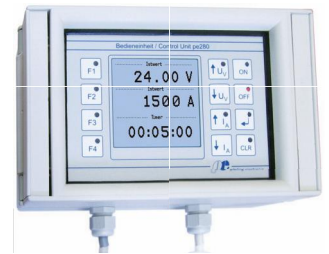
Standard: peRB-interface

Optional: external control via analog signals, also with integrated isolation amplifier

Signals: 0–10V  
0–1V  
4–20mA  
0–20mA (other on request)

**Control unit pe280**  
for the controlling of  
DC power supplies of  
the series POWER STATION pe4206

Designed for electroplating applications  
Large 3-line LCD-display,  
polycarbonate-keypad for easy operation  
Current and voltage infinitely adjustable  
by UP / DOWN buttons  
Current and voltage preset  
Ampere-hour counter (totalizer)  
Protection grade: IP54  
Ambient temperature max. 40°C



### Optional available functions

Preset counter, dosage counter \*  
Ramp function (start / stop ramp)  
Timer function for ON / OFF \*  
Voltage / current alarm \*  
Operating hours counter  
Chopper timer (pulse-capable rectifier type requested)  
Pole changer function (mechanical / electronic) \*  
Programmable DC steps (14 individual steps) \*  
Extern ON  
\* Indication / alarm output

Control via: RS485, PROFIBUS, TCP/IP (other on request)