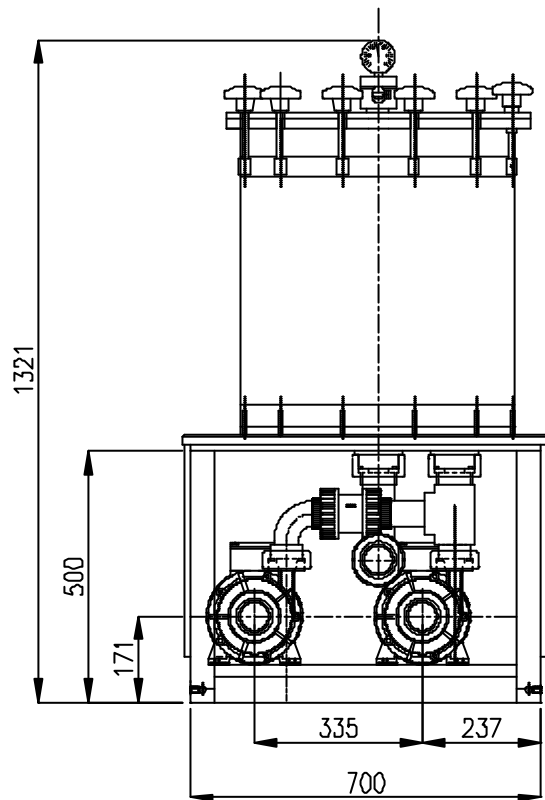
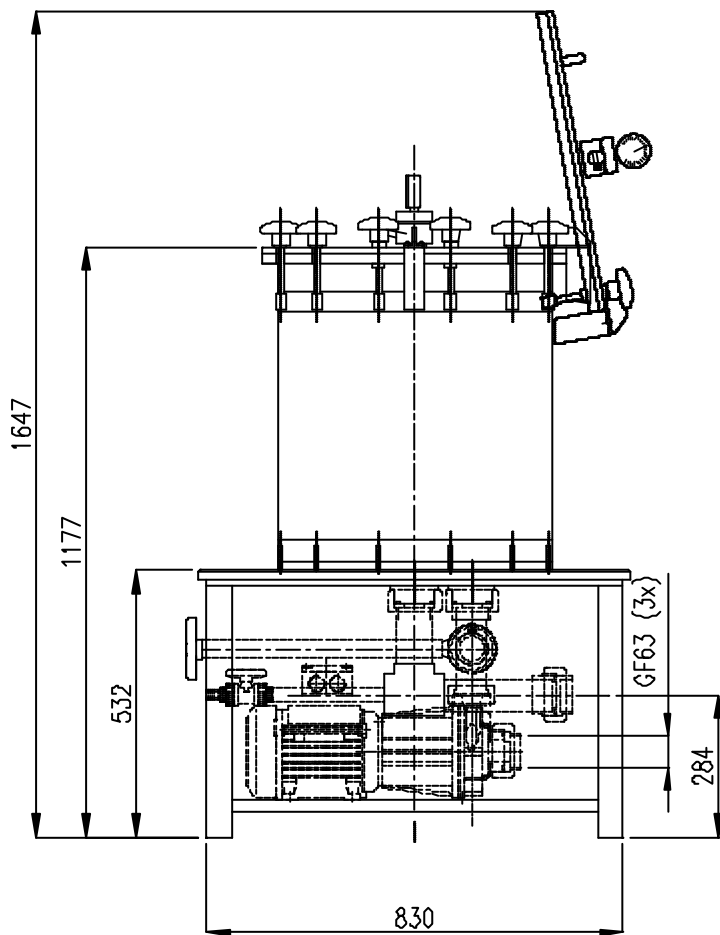
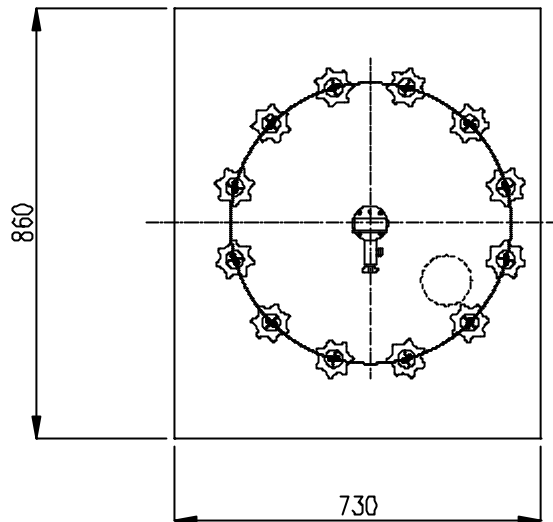


THIS INFORMATION IS CONFIDENTIAL
 AND IS NOT TO BE DISCLOSED WITHOUT WRITTEN AUTHORIZATION
 FROM HENDOR POMPEN B.V. BLADEL.

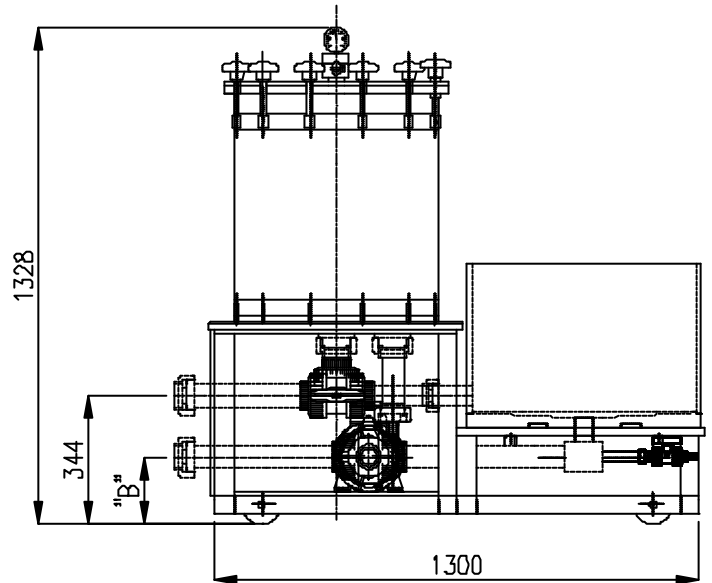
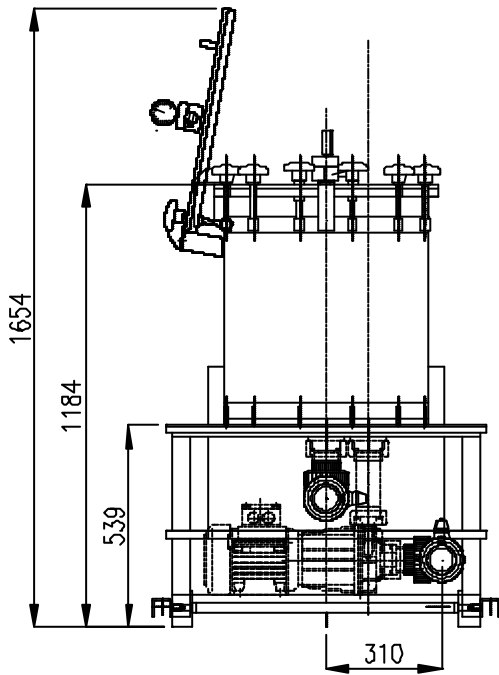
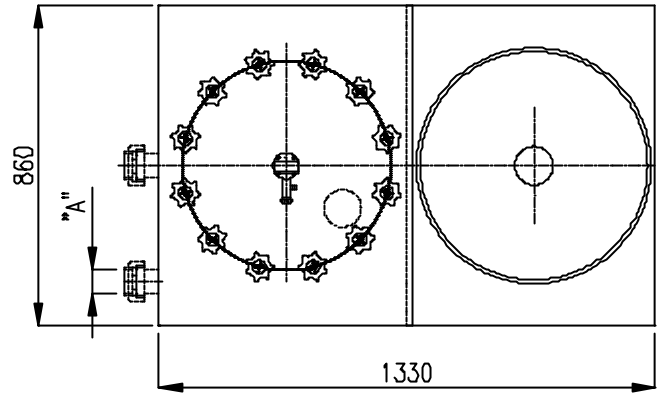


material	PP	drw.	H. Goorman	scale	1 : 15	www.hendor.com				
mat. size	All sizes in mm	date	16-12-2003		Man 3.2		Overall tolerance $\pm 2\text{mm}$ Angle tolerances $\Delta \pm 1^\circ$			
		chk.		MAATSCHETS MFP MT220-362A-K/P-PP			drw. no.	000-001-748	size A4	
							File no.	0-001748		
Chk.	Date	No.								

THIS INFORMATION IS CONFIDENTIAL AND IS NOT TO BE DISCLOSED WITHOUT WRITTEN AUTHORIZATION FROM HENDOR POMPEN B.V. BLADEL



Pump type	Motor kW	Mat.	Dimensions in mm		
			A	B	C
M110	1.10	PP	d40/DN32	164	
M150	1.50		d50/DN40	174	
M220	2.20		d63/DN50	180	
M300	3.00		d63/DN50	184	
M400	4.00		d63/DN50	196	



material	PP	drw.	H. Gaorman	scale	1 : 20	www.hendor.com			
mat. size	All sizes in mm	date	19-08-2003			Man	3.2/		
		chk.		MAATSCHETS MFP M110...M400-362AK/P-PP		Overall tolerance $\pm 2\text{mm}$ Angle tolerances $\Delta \pm 1^\circ$			
						drw. no.	000-001-729	size	
Chk.	Date	No.				File no.	0-001729	A4	