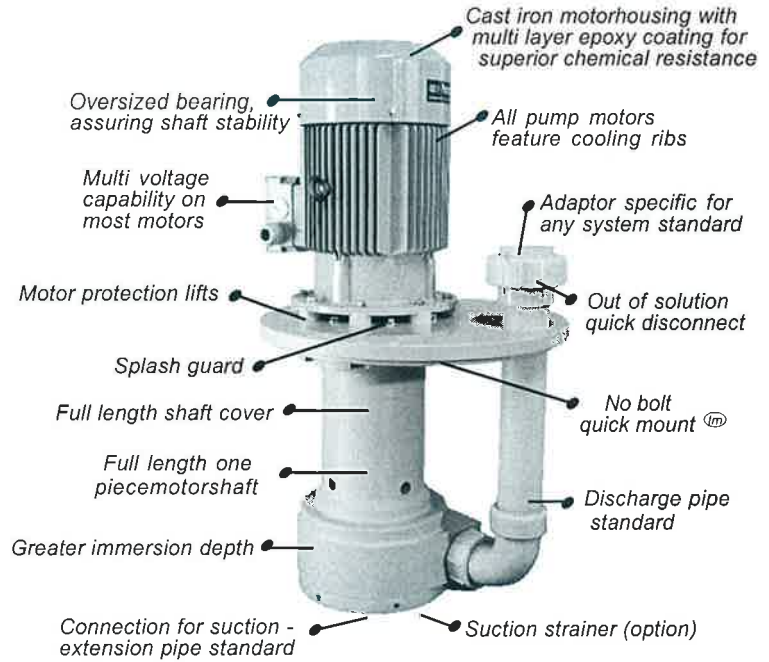
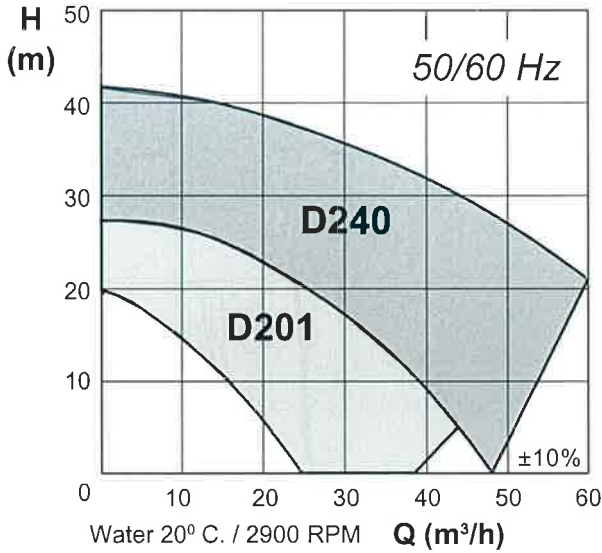


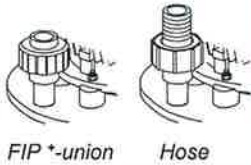
SUBMERSIBLE PUMPS #

- 9*
- 110
- 15*
- 170
- 201



OPTIONS

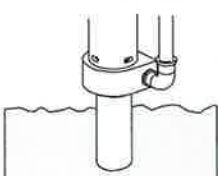
Possible adaptors



Motor drip cover



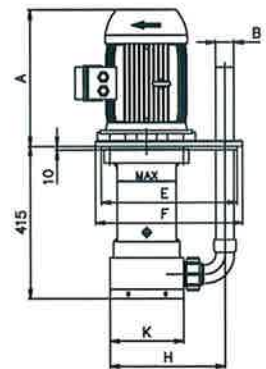
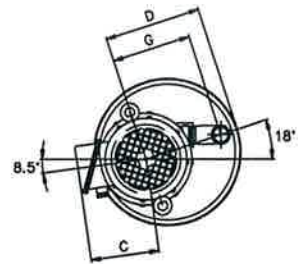
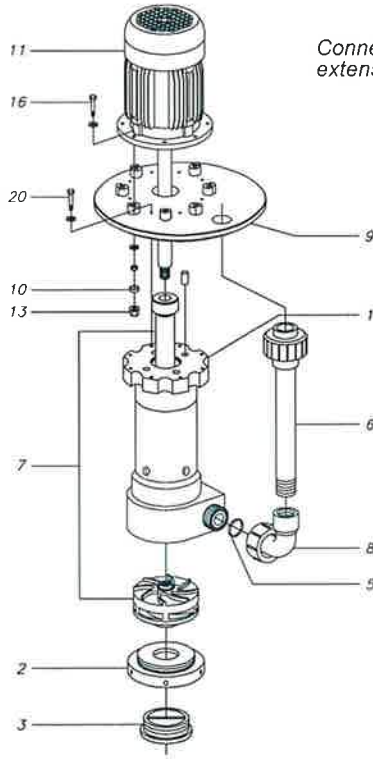
Suction extension pipe



Rectangular Mountingplate



(minimum dim. 325 x 325mm)



PUMP TYPE	kW	Net kg	Dimensions in mm								
			A	B	C	D	E	F	G	H	K
D201-4.00-400-PP	4	53	370	Ø50	185	262	370	400	215	315	200
D201-5.50-400-PP	5.5	59	411	Ø50	221	292	450	480	246	342	200

D240-5.50-400-PP	5.5	57	411	Ø63	221	292	450	480	246	362	240
D240-7.50-400-PP	7.5	63	411	Ø63	221	292	450	480	246	362	240

All 3 phase motors (IP55)

4 kW: 50 Hz 2900RPM Y/Δ 346-440 / 200-254 V
 60 Hz 3400RPM Y/Δ 346-480 / 200-280 V

4 + 5,5 kW: 50 Hz 2900RPM Y/Δ 600-725 / 346-420 V
 60 Hz 3400RPM Δ 346-480 V

7,5 kW: 50 Hz 2900RPM Y/Δ 660-725 / 380-420 V
 60 Hz 3400RPM Δ 440-480 V

